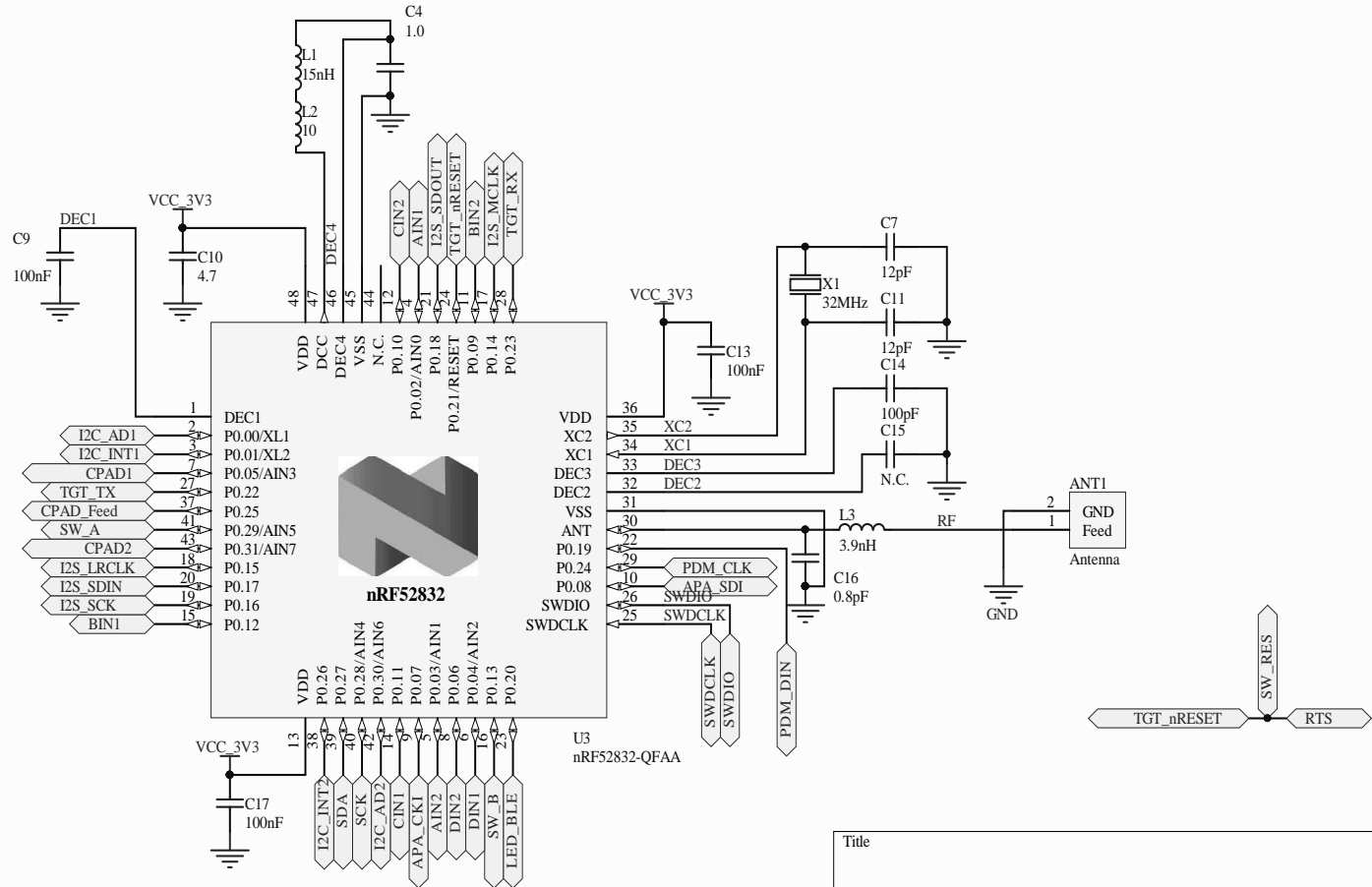
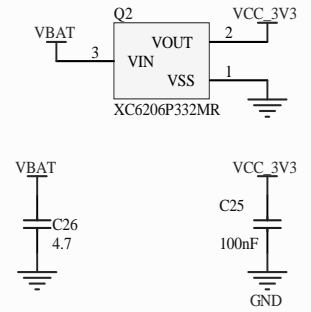
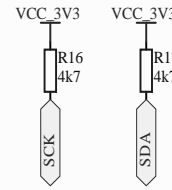
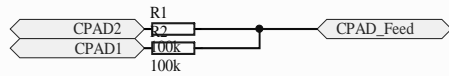


Title		
Size	Number	Revision
A		
Date:	8/19/2018	Sheet of
File:	D:\sourcetreel\Connectors.SchDoc	Drawn By:



Title		
Size	Number	Revision
A		
Date:	8/19/2018	Sheet of
File:	D:\sourcetree\microboard\MCU.SchDoc	Drawn By:

A

B

C

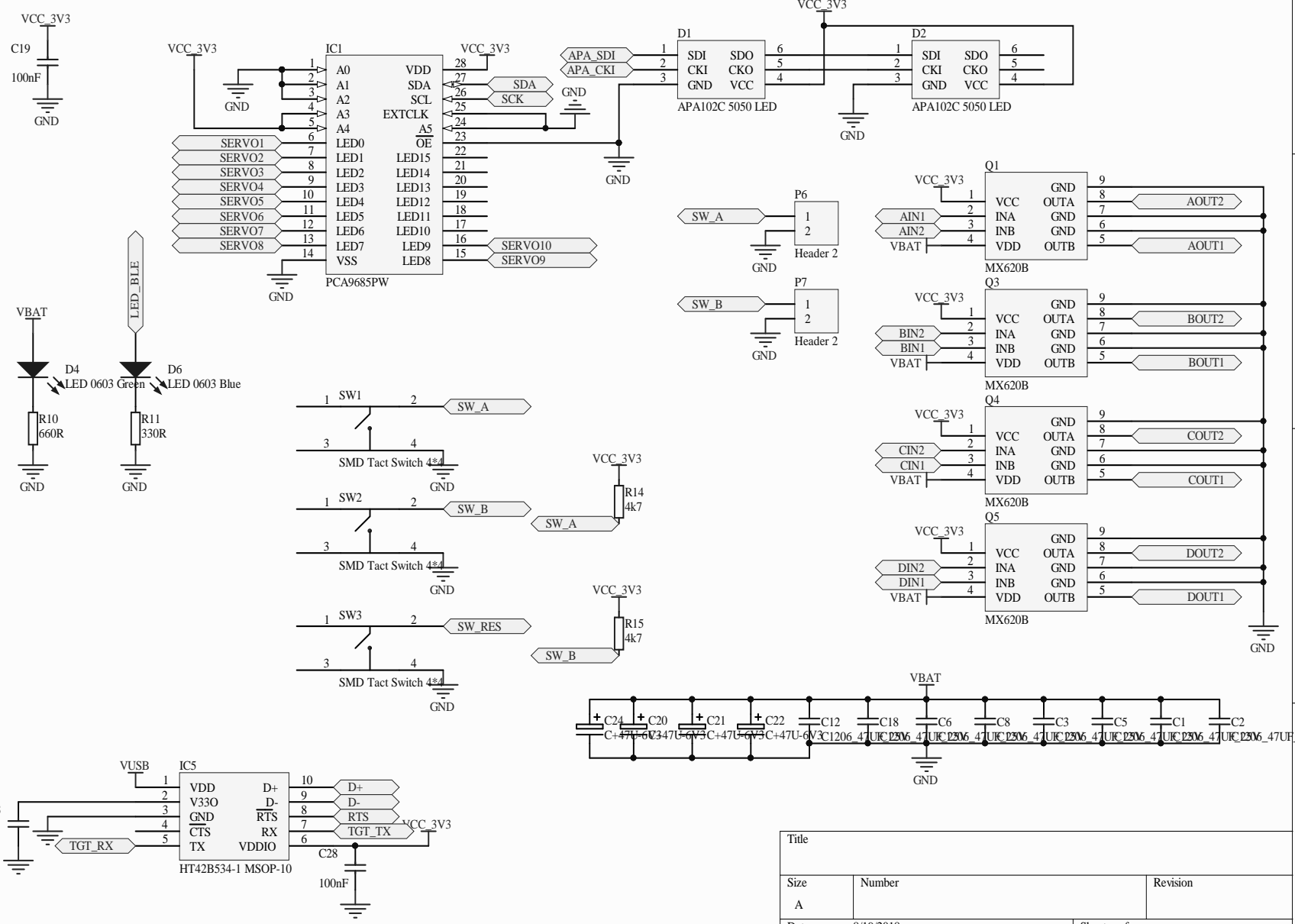
D

A

B

C

D



Title		
Size	Number	Revision
A		
Date:	8/19/2018	Sheet of
File:	D:\sourcetreel\Peripherals.SchDoc	Drawn By: